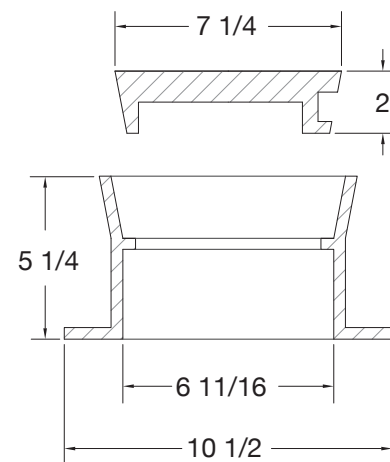


NOTES:

- Dimensions are approximate & in inches
- Gray Iron, Class 30B
- Conforms to ASTM A48 / A48M-03 specifications
 - * Please specify if required in Class 35B or Ductile Iron
- Markings: Plain, Fire, Gas, Open left arrow, Open right arrow, Sewer, Water
 - * Custom markings / logos available upon request

PRODUCT NO.
17041



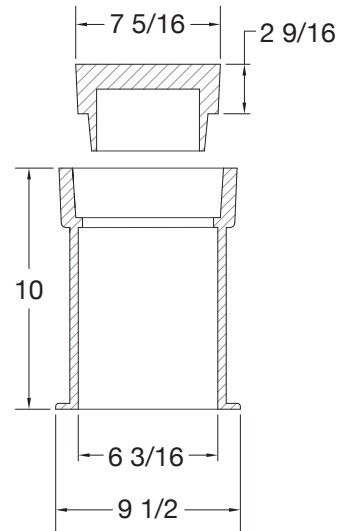
NOTES:

- Dimensions are approximate & in inches
- Gray Iron, Class 30B
- Conforms to ASTM A48 / A48M-03 specifications
 - * Please specify if required in Class 35B or Ductile Iron
- Markings: Plain, Fire, Gas, Open left arrow, Open right arrow, Sewer, Water
 - * Custom markings / logos available upon request

PRODUCT NO.
17051



Light Duty



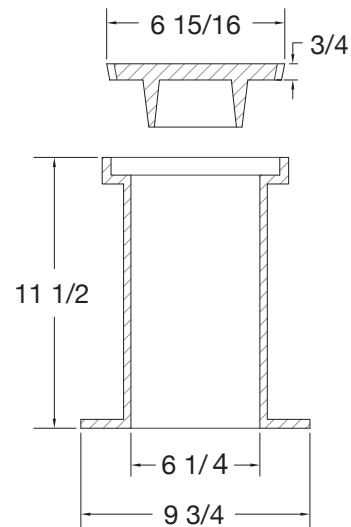
NOTES:

- Dimensions are approximate & in inches
- Gray Iron, Class 30B
- Conforms to ASTM A48 / A48M-03 specifications
 - * Please specify if required in Class 35B or Ductile Iron
- Markings: Plain, Fire, Gas, Open left arrow, Open right arrow, Sewer, Water
 - * Custom markings / logos available upon request

PRODUCT NO.

17101

Light Duty



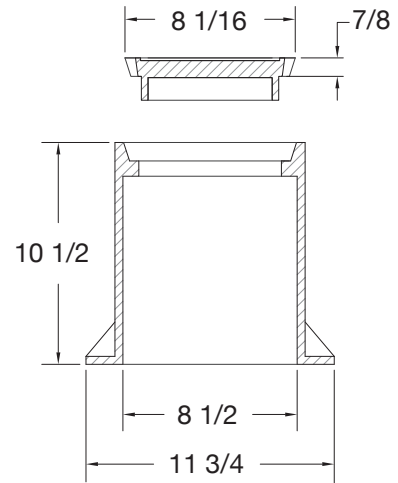
NOTES:

- Dimensions are approximate & in inches
- Gray Iron, Class 30B
- Conforms to ASTM A48 / A48M-03 specifications
 - * Please specify if required in Class 35B or Ductile Iron
- Markings: CO
 - * Custom markings / logos available upon request

PRODUCT NO.

10711



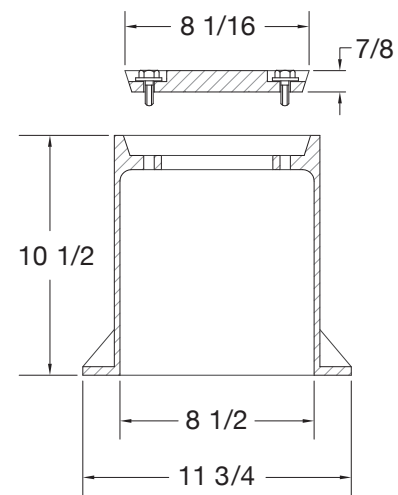


NOTES:

- Dimensions are approximate & in inches
- Gray Iron, Class 30B
- Conforms to ASTM A48 / A48M-03 specifications
 - * Please specify if required in Class 35B or Ductile Iron
- Markings: Plain, Cleanout, Sewer, Water
 - * Custom markings / logos available upon request

PRODUCT NO.
18111

Bolted



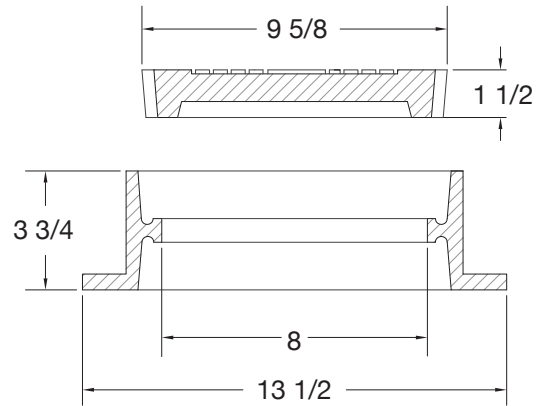
NOTES:

- Dimensions are approximate & in inches
- Gray Iron, Class 30B
- Conforms to ASTM A48 / A48M-03 specifications
 - * Please specify if required in Class 35B or Ductile Iron
- Markings: Plain, Cleanout, Sewer, Water
 - * Custom markings / logos available upon request

PRODUCT NO.
18116



Heavy Duty



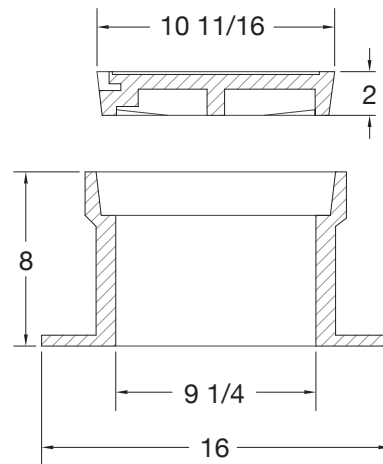
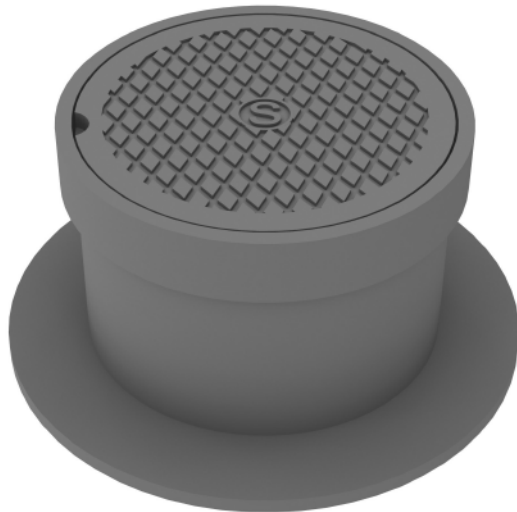
NOTES:

- Dimensions are approximate & in inches
- Gray Iron, Class 30B
- Conforms to ASTM A48 / A48M-03 specifications
 - * Please specify if required in Class 35B or Ductile Iron
- Markings: Plain, D, S
 - * Custom markings / logos available upon request

PRODUCT NO.

11041

Heavy Duty

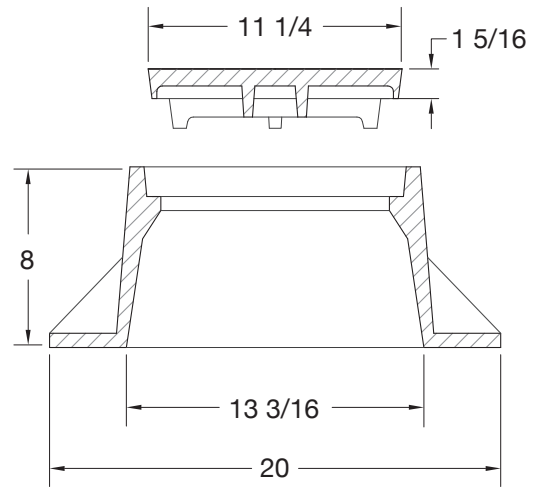


NOTES:

- Dimensions are approximate & in inches
- Gray Iron, Class 30B
- Conforms to ASTM A48 / A48M-03 specifications
 - * Please specify if required in Class 35B or Ductile Iron
- Markings: Plain, Cleanout, Sewer
 - * Custom markings / logos available upon request

PRODUCT NO.

11081

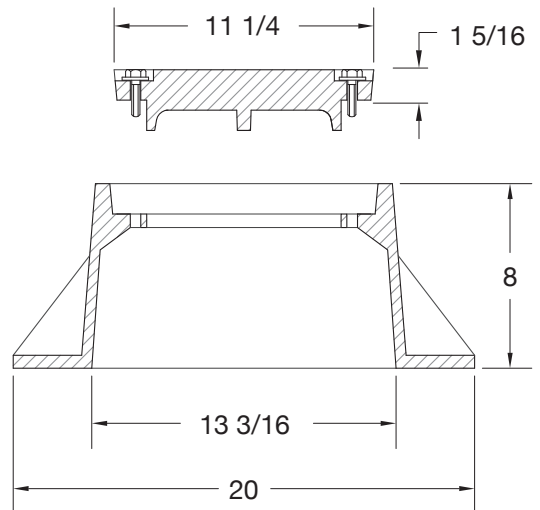


NOTES:

- Dimensions are approximate & in inches
- Gray Iron, Class 30B
- Conforms to ASTM A48 / A48M-03 specifications
 - * Please specify if required in Class 35B or Ductile Iron
- Markings: Plain, Cleanout, Sewer
 - * Custom markings / logos available upon request

PRODUCT NO.
11181

Bolted

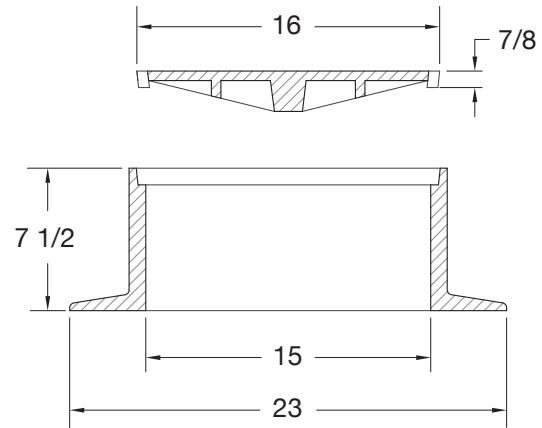
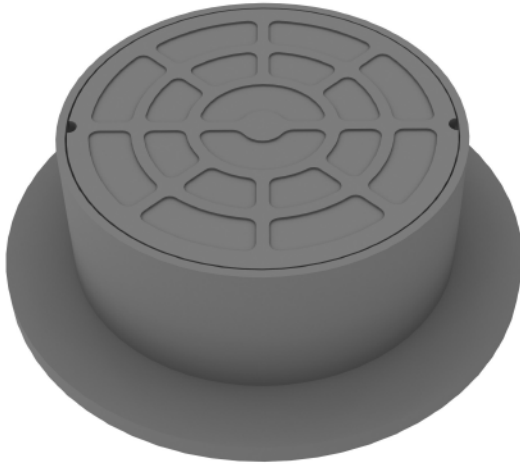


NOTES:

- Dimensions are approximate & in inches
- Gray Iron, Class 30B
- Conforms to ASTM A48 / A48M-03 specifications
 - * Please specify if required in Class 35B or Ductile Iron
- Markings: Plain, Cleanout, Sewer
 - * Custom markings / logos available upon request

PRODUCT NO.
11186





PRODUCT NO.

11671

NOTES:

- Dimensions are approximate & in inches
- Gray Iron, Class 30B
- Conforms to ASTM A48 / A48M-03 specifications
 - * Please specify if required in Class 35B or Ductile Iron
- Markings: Plain, S
 - * Custom markings / logos available upon request